

Additional Information



Safety Warning and Precautions

The Safety Warning and Precaution information is in the UniPhyer Hardware Installation and User Guide which is available from our website www.phybridge.com.

Warning: High Leakage current. See wording at rear of UniPhyer.

L'information d'avertissement et de précaution de sûreté est dans l'installation de matériel d'UniPhyer et le guide d'utilisateur qui est fourni par notre site web www.phybridge.com

Attention: Courant de fuite élevé. Voir le texte à l'arrière de UniPhyer

Compliance Information

The compliance and regulatory information are in the UniPhyer Hardware Installation and User Guide which is available from our website www.phybridge.com.

La conformité de l'équipement aux règles en vigueur est définie dans le manuel de l'utilisateur de UniPhyer fourni par notre site web www.phybridge.com.



Making Modifications/Changes

Any changes or modifications not expressly approved by Phybridge will void any compliance and regulatory approval, and will void the user's authority to operate the equipment.

Technical Support

You can contact Technical Support by:

- Phone: 1-905-901-3633
1-888-901-3633
- Email: support@phybridge.com

Be prepared to provide the S/N and the problem description.

One Year Replacement Warranty

The UniPhyer and PhyAdapter is warranted by Phybridge against manufacturing defects in material and workmanship under normal use for one year from the date of purchase from Phybridge authorized distributors and dealers, extended warranties are available. For complete warranty details and exclusions, please visit www.phybridge.com

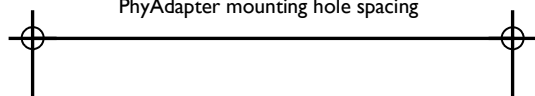


November, 2009
0803-01.6

Contact Us
Corporate Headquarters
3495 Laird Road,
Suite 12
Mississauga, ON L5L 5S5
Canada

www.phybridge.com

PhyAdapter mounting hole spacing



Quick Installation Guide For the UniPhyer LB-UA2324 & LB-UA2348 and PhyAdapter LB-PA111

Risk Free, Quick & Easy Installation of IP Telephony in an Office



IP Telephony Deployment as it should be—more for less.

Congratulations and thank you for purchasing the UniPhyer, the most effective way to deploy IP telephony and a converged network in an office. With our plug-and-play capability, deployment is quick and easy with no on-going management required.

*This Quick Installation Manual contains the basic information for installing the **UniPhyer** and the **PhyAdapter**.*

Installation and operational details are provided in the UniPhyer Hardware Installation and User Guide available from our website, www.phybridge.com.

What's Included:

UniPhyer

- Bridge unit
- AC Power Cord
- Rack mount bracket and screws
- Ferrite bead
- Champ Lock Clip
- This Quick Installation Guide

PhyAdapter

- PhyAdapter
- This Quick Installation Guide



VoIP Deployment

UniPhyer—Installation

Step 1:
Mount **UniPhyer** in desired location. Verify if Earth ground connection is required (see User Guide), install if needed. Plug in the power cord to an AC outlet and turn on the power switch.



Step 2:
Connect the female RJ21 cable with Ferrite bead (as shown) to the RJ21 connector marked “Line Interface” with Champ Lock Clip.



Step 3:
Connect the Ethernet cable from the LAN to the Ethernet port marked “GBE1”.
Note: If multiple units are being daisy chained, then “GBE1” of new unit can be connected to “GBE2” Ethernet port of already installed unit.

This completes installation of the UniPhyer unit.

Setup Requirements

- Ensure the availability of a national AC outlet (and Earth ground).
- Disconnect phones/old PBX from the lines that will be connected to the **UniPhyer**.
- Ensure the availability of a 100/1000 Ethernet LAN port.

Default Settings

- IP address of Management Port:
192.168.1.1
Mask: 255.255.255.0
- IP address of GBE1 Port:
192.168.100.1
Mask: 255.255.255.0
- User Name: admin
Password: admin

Product Specifications—UniPhyer

Network Interface:

- 2x10/100/1000 Ethernet Trunk Ports
- 10/100 Ethernet Management Port

Line Interface:

- 24/48 ports ADSL2+ (G.992.1.2.3.5)

Physical Specifications:

- 2U: 88 x 432 x 381 mm (HxWxD)
- Weight: 5.36 Kg

Environmental:

- Operating Temperature: -10°C to 50°C
- Operating Humidity: 10% to 95%

Power Requirements:

- 100 to 240VAC, 50/60 Hz, 400W (24 port), 650 W (48 port) maximum
- Ground: may be required (see User Guide)

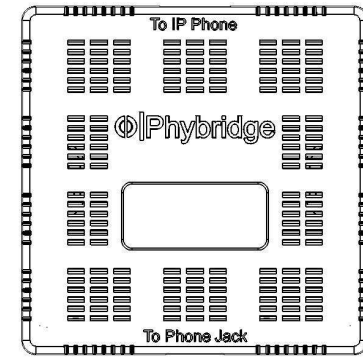
Risk-Free, Quick and Easy

PhyAdapter—Installation

Step 1:
Connect the telephone cable from wall jack to jack on the **PhyAdapter** marked as “To Phone Jack”.

Step 2:
Connect the Ethernet cable from an IP Phone (Class 2 IEEE 802.3af compliant) to the Jack on the **PhyAdapter** marked as “To IP Phone”.

Installation of the PhyAdapter is now complete.



Product Requirements

- **PhyAdapter(s)** must be installed on phone lines that are connected to the **Phybridge UniPhyer**.



Over Current Protection/Cautions and warnings

UniPhyer automatically shuts off any port with a short or excessive current.

To Recover:

- Resolve wiring problem
- Disconnect and reconnect the **PhyAdapter**
- If required, reset this port from the management interface on the **UniPhyer**

Product Specifications—PhyAdapter

Interfaces:

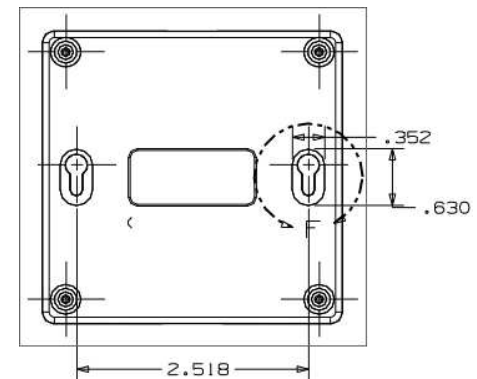
- Ethernet 10/100 Port (RJ45 Jack)

Dimensions:

- 83 x 83 x 27 mm (HxWxD)
- Weight: 90 g

Optional Wall mounting

PhyAdapter includes mounting holes that can be used to mount it on studs or #5 screws that are set 64 mm (2.518 inches) apart.



PhyAdapter Model

- **LB-PA111** – POE enabled

